

Presence detector

# IR Quattro

COM1 AP

EAN 4007841 592301

**STEINEL**<sup>®</sup>  
PROFESSIONAL



infrared sensor



max. 4 x 4 m  
presence

2000w

max. 2000 W



ideal 2,5 - 8 m



indoor sensor



iQ-mode



energy saving



manufacturer's  
warranty  
steinel-professional.de/garantie



CE



VDE-GS

## Function description

Squaring the circle. Infrared presence detector Presence Control PRO IR Quattro COM1 AP for indoors, ideal for small offices, store, service and utility rooms, washrooms and WCs, installation height up to 8 m, surface-mounting version for switching light 'ON' and 'OFF', 1760 switching zones for excellent detection quality, square presence detection zone covering 16 m<sup>2</sup>, mechanically scalable.

## Technical specifications

Type	Presence detector
Dimensions (L x W x H)	120 x 120 x 71 mm
Mains power supply	230 V / 50 – 60 Hz
Sensor Technology	passive infrared
Application, place	Indoors
Application, place, room	One-person office, conference room, side room
Installation site	ceiling
Type of installation	Surface wiring
Switching zones	1760 switching zones
Electronic scalability	No
Mechanical scalability	Yes
Mounting height	2,50 – 8,00 m
Optimum mounting height	2,8 m
Detection angle	360 °
Sneak-by guard	Yes
Capability of masking out individual segments	No
Reach, radial	5 x 5 m (25 m <sup>2</sup> )
Reach, tangential	7 x 7 m (49 m <sup>2</sup> )

Reach, presence	4 x 4 m (16 m <sup>2</sup> )
Twilight setting TEACH	Yes
Twilight setting	10 – 1000 lx
Time setting	30 s – 30 Min.
Constant-lighting control	No
Basic light level function	No
Functions	Normal / test mode, Semi-/fully automatic, Pushbutton / switch mode, Manual ON / ON-OFF
With remote control	No
Interconnection	Yes
Type of interconnection	Master/slave, Master/master
IP rating	IP20
Material	Plastic
Ambient temperature	-25 – 55 °C
Colour	white
Colour, RAL	9010
Manufacturer's Warranty	5 years
Version	COM1 AP
PU1, EAN	4007841592301

<https://www.steinell.de>

Presence detector

# IR Quattro

COM1 AP

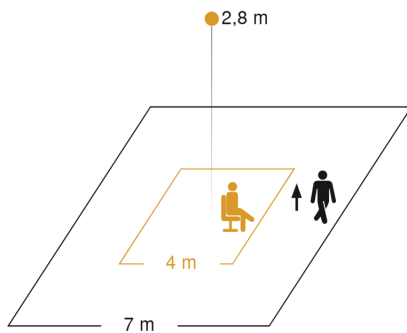
EAN 4007841 592301

**STEINEL**<sup>®</sup>  
PROFESSIONAL

## Accessories

EAN 4007841 000363	Surface-mounting adapter Control PRO AP Box (IP54)
EAN 4007841 003036	Control PRO guard cage
EAN 4007841 009151	Remote control Smart Remote
EAN 4007841 559410	Service remote control RC8

## Detection Zone

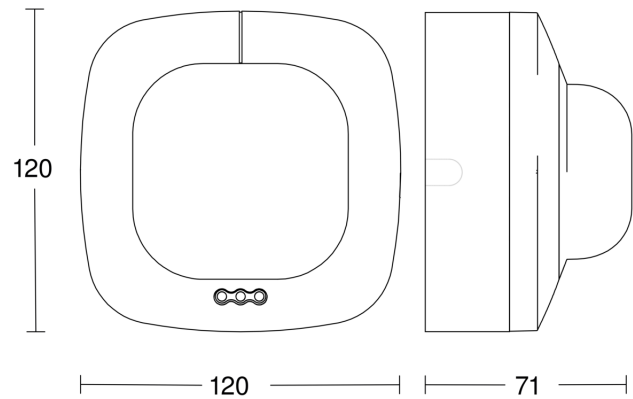


Mögliche Montagehöhe: 2,50 m – 8,00 m

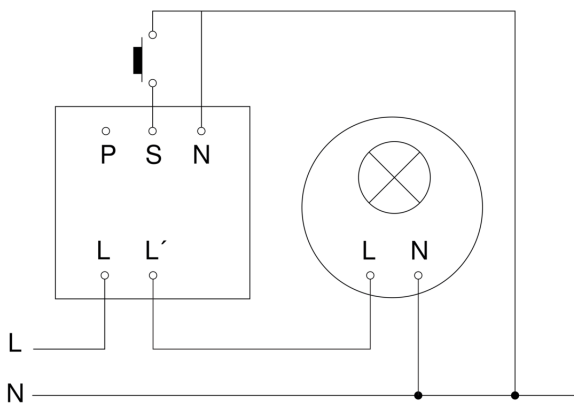
Orange: Präsenz

Schwarz: tangential

## Dimension Drawing



## Master circuit diagram



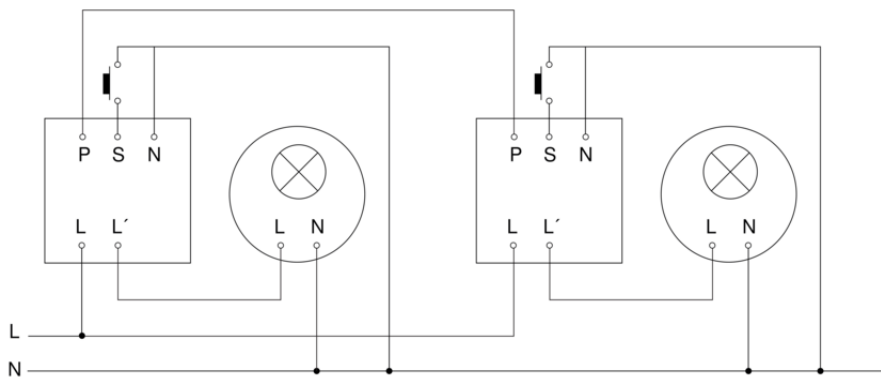
Presence detector

# IR Quattro

COM1 AP

EAN 4007841 592301

## Master/master interconnection circuit diagram



## Master/slave interconnection circuit diagram

